

TEST LABORATORY

PROCESS 20184000312

TEST REPORT N. 20184000312/10

Page 1 of 6

TYPE OF PRODUCT: CHILD USE AND CARE ARTICLE – TEXTILE FOR BABY BED

MARK: B-MUM

REFERENCE: SAFETY BABY BED

AGE GRADE: FOR CHILDRENS FROM BIRTH TO 4 YEARS

TEST STANDARD: **CEN/TR 13387-1:2015 – Child Use and Care Articles – General safety guidelines – Part 1: Safety philosophy and safety assessment.**
CEN/TR 13387-3:2015 – Child Use and Care Articles – General safety guidelines – Part 3: Mechanical Hazards.
CEN/TR 13387-4:2015 – Child Use and Care Articles – General safety guidelines – Part 4: Thermal Hazards.
CEN/TR 13387-5:2015 – Child Use and Care Articles – General safety guidelines – Part 5: Product Information.

INQUIRER: MÓNICA FERREIRA – UNIPessoal, LDA
RUA CÓNEGO DR. ANTÓNIO JOSÉ RIBEIRO, N.16 3ºESQ -TRÁS
SÉ
4700 – 216 BRAGA

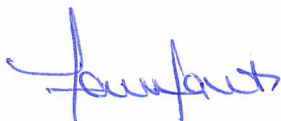
DATE OF THE RECEPTION OF THE PRODUCT: 2018-02-28

DATE OF THE END OF THE TEST: 2018-04-23

DATE OF THE TEST REPORT: 2018-04-30

Technician:

Technician Responsible:



(Marisa Santos)



(Pedro Castro)

0 – TABLE OF CONTENTS:

I - INTRODUCTION:	3
II – RISK ASSESSMENT:	4
II.1 – CEN/TR 13387-1:2015 - Part 1: Safety philosophy and safety assessment	4
II.2 – CEN/TR 13387-3:2015 - Part 3: Mechanical Hazards	5
II.3 – CEN/TR 13387-4:2015 - Part 4: Thermal Hazards	6
II.4 – CEN/TR 13387-5:2015 - Part 5: Product Information	6
III – CONCLUSION:	6

Technician:

Rubric: 

(Marisa Santos)

I - INTRODUCTION:

The following sections of this report describe the test results, identified with the corresponding CEN/TR 13387 and sections.

The results are relative to the evaluation of the product – Textile for baby bed . The risks associated with the product-bed combination were not considered.

The sample tested is described in the following pictures:



Technician:

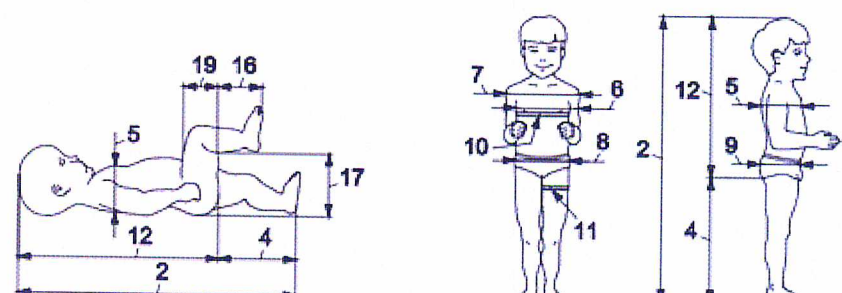
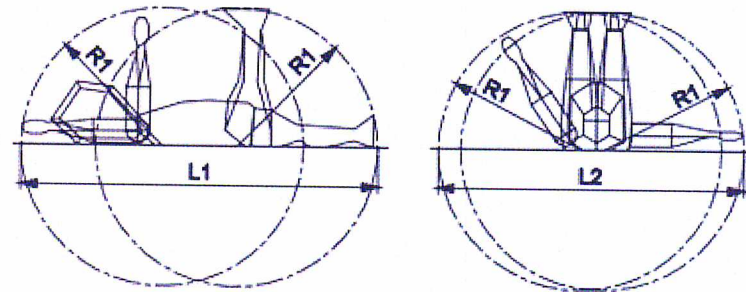
Rubric: Marisa Santos

(Marisa Santos)

II – RISK ASSESSMENT:

In the following tables are described the sections of the CEN/TR 13387 that were evaluated following inquirer's request.

II.1 – CEN/TR 13387-1:2015 - Part 1: Safety philosophy and safety assessment

Section	Description																																	
5	Hazard and risk assessment																																	
	Defined based on a child with 0 months to 4 years age and P95:																																	
	<table border="1"> <thead> <tr> <th></th> <th>0 months</th> <th>4 years</th> </tr> </thead> <tbody> <tr> <td>Users</td> <td colspan="2">1</td> </tr> <tr> <td>Position</td> <td colspan="2">Lying</td> </tr> <tr> <td>Height (2)</td> <td>535 mm</td> <td>1098 mm</td> </tr> <tr> <td>Hip (8)</td> <td>147 mm</td> <td>205 mm</td> </tr> <tr> <td>Shoulder breadth (7)</td> <td>194 mm</td> <td>276 mm</td> </tr> <tr> <td>Weight</td> <td>4,3 kg</td> <td>20,1 kg</td> </tr> <tr> <td>Pinch force (N)</td> <td>0</td> <td>45,3 N</td> </tr> <tr> <td>Push force (N)</td> <td>0</td> <td>128 N</td> </tr> <tr> <td>Ability</td> <td>Birth reflexes, startle, palmar grasp, rooting, crawling reflex</td> <td>Can hop, can recognize colours, can dress without supervision</td> </tr> <tr> <td>Development</td> <td>Strong need for sucking, can hold head up for only a few seconds, risk of suffocation</td> <td>Knows how to reach things that are stored in e.g. high cupboard, risk for poisoning, cutting and burning</td> </tr> </tbody> </table>		0 months	4 years	Users	1		Position	Lying		Height (2)	535 mm	1098 mm	Hip (8)	147 mm	205 mm	Shoulder breadth (7)	194 mm	276 mm	Weight	4,3 kg	20,1 kg	Pinch force (N)	0	45,3 N	Push force (N)	0	128 N	Ability	Birth reflexes, startle, palmar grasp, rooting, crawling reflex	Can hop, can recognize colours, can dress without supervision	Development	Strong need for sucking, can hold head up for only a few seconds, risk of suffocation	Knows how to reach things that are stored in e.g. high cupboard, risk for poisoning, cutting and burning
		0 months	4 years																															
	Users	1																																
Position	Lying																																	
Height (2)	535 mm	1098 mm																																
Hip (8)	147 mm	205 mm																																
Shoulder breadth (7)	194 mm	276 mm																																
Weight	4,3 kg	20,1 kg																																
Pinch force (N)	0	45,3 N																																
Push force (N)	0	128 N																																
Ability	Birth reflexes, startle, palmar grasp, rooting, crawling reflex	Can hop, can recognize colours, can dress without supervision																																
Development	Strong need for sucking, can hold head up for only a few seconds, risk of suffocation	Knows how to reach things that are stored in e.g. high cupboard, risk for poisoning, cutting and burning																																
 <p>Fig 2: Body dimensions</p>																																		
 <p>Fig 3: Determination of accessibility areas</p>																																		

Technician:

 Rubric:

(Marisa Santos)

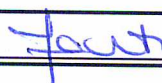
II.2 – CEN/TR 13387-3:2015 - Part 3: Mechanical Hazards

Section	Description	Evaluation
4	Accessibility of mechanical hazards	—
	0 months - Accessibility area of 760 mm (L1) x 660 mm (L2) – see Fig 3. Lying position 4 years - Accessibility area of 1270 mm (L1) x 1070 mm (L2) – see Fig 3. Lying position	
5	Entrapment hazards*	PASS
	The product doesn't presents any opening that can provide entrapment.	
6	Hazards for moving parts*	PASS
	There are no moving parts.	
7	Hazards with products designed to fold for storage and transportation	NOT APPLICABLE
	The product isn't designed to fold.	
8	Hazards related to attachment mechanisms and opening and closing systems	NOT APPLICABLE
	The product doesn't present mechanisms or systems to opening or close.	
9	Entanglement hazards*	PASS
	Doesn't presents snag points or loops. Doesn't presents cords, ribbons or similar parts.	
10	Choking hazards*	PASS
	Small parts present: pressure springs.No small parts were removed after the tests. Torque Test: rotation of 180° clockwise and anticlockwise direction. Tensile Test: application of a tensile force of 90N. Bite test: bite of two sets of teeth with a closing force of 50N.	
11	Suffocation hazards	NOT APPLICABLE
	Don't presents plastic packaging, labels or decals.	
12	Ingestion hazards*	PASS
	Small parts present: pressure springs.No small parts were removed after the tests. Torque Test: rotation of 180° clockwise and anticlockwise direction. Tensile Test: application of a tensile force of 90N.	
13	Hazardous edges and projections*	PASS
	All exposed edges are rounded and free from burrs. Doesn't presents protruding parts, points and wires.	
14	Structural integrity	PASS
	No damage occurs after the tests. Static Test: application of 150N tensile force for 1 min on the safety hardness.	
15	Protective function	PASS
	Presents a safety hardness – conjoint crotch-waist hardness Straps width: 65 mm. Attachment's strength: application of 150N tensile force for 1 min on each attachment point. Fastener's strength: application of 200N tensile force for 1 min on the entire hardness. Endurance test – operated 200 times (pressure springs).	
16	Hazards associated with stability*	NOT APPLICABLE
	There is no risk of the article tipping over.	

*- Note: The risks associated with the product/baby bed combination were not considered.

Technician:

Rubric:



(Marisa Santos)

II.3 – CEN/TR 13387-4:2015 - Part 4: Thermal Hazards

Section	Description	Evaluation
3.1	Safety philosophy	PASS
	The product doesn't present celluloid, pile surfaces, flammable gases or flammable liquids.	
3.2	Flammability and burning hazards	PASS*1
	Flammability test according EN 71-2:2011+A1:2014 No surface flash occurred. Rate of spread of flame: 41,9 mm/s (average of three tests). *1 – According the CEN/TR 13387-4 the maximum rate of spread of flame recommended is 50 mm/s.	
3.3	Hazards from hot and cold surfaces*	PASS
	The article isn't to be exposed to extremes of temperature – indoor use.	
3.4	Hazards from hot and cold liquids or food*	PASS
	The article isn't to be exposed or allow the access to liquids or food.	
3.5	Hazards from contact with flames*	PASS
	The article isn't to be exposed or allow the access to flames.	
3.6	Hyperthermia and hypothermia hazards*	PASS
	The article isn't to be exposed to extremes of temperature – indoor use.	

*- Note: The risks associated with the product/baby bed combination were not considered.

II.4 – CEN/TR 13387-5:2015 - Part 5: Product Information

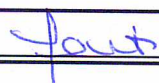
Section	Description	Evaluation
3	Marking of the product and any packaging	PASS
	Product marked with manufacturer's name and concern information and article's reference. Durability test: markings were rub with cotton soaked with water during 10s.	
4	Purchase information	PASS
	The article is sold with an information leaflet accompanying the product.	
5	Instructions for use	PASS
	The article is accompanying by instructions concerning all the information of safety, assembling and storage.	
6	Warning sentences	PASS
	Presents the warning: "WARNING. Never leave your child unattended"	

III – CONCLUSION:

The sample tested **REF. SAFETY BABY BED** was found to be in compliance with CEN/TR 13387-1, CEN/TR 13387-3, CEN/TR 13387-4, CEN/TR 13387-5.

Technician:

Rubric:



(Marisa Santos)